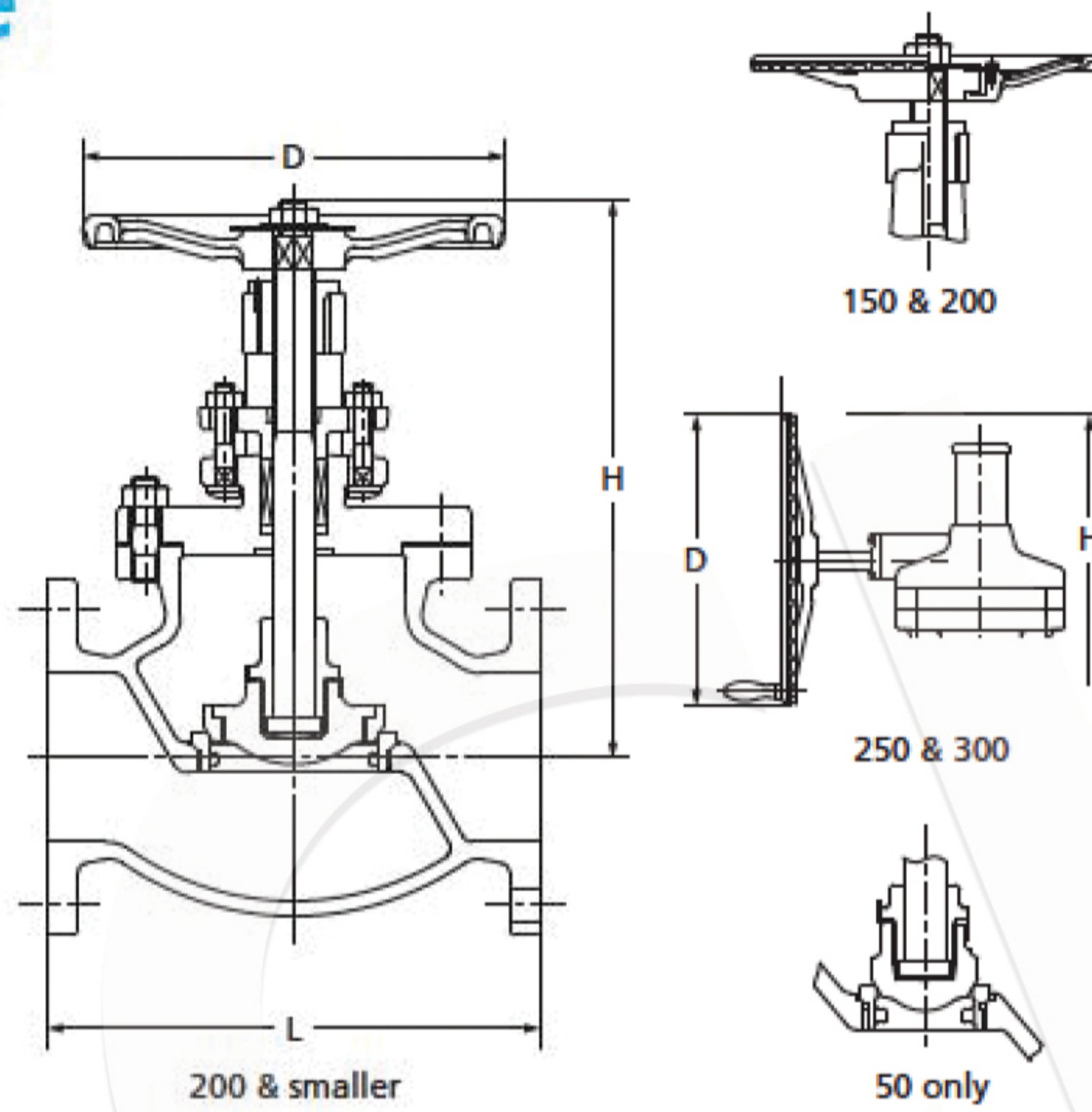


10K Globe Valve

10SPBOF
B.B.O.S.Y.
FF-flanged



Face to face : JIS B 2002
End connection : JIS B 2239 10K

120°C Static water.....1.4MPa
220°C Steam, air, gas, oil..... 1.2MPa
300°C Steam, air, gas, oil..... 1.0MPa

- Use for lubricating or hydraulic oil is acceptable. Contact KITZ Corporation for technical advice, if valves are used as heat transfer media.
- Bolting materials will be changed for servicing high temperature exceeding 225°C. Contact KITZ Corporation for detailed information.

Materials

Parts	JIS material
Body	FCD-S
Bonnet	FCD-S
Stem	SUS403
Disc	FCD-S (50 : SUS403)
Disc seat ring	SUS403
Body seat ring	SUS403
Lock nut	FCD-S
Gland	FCD-S
Gland packing	Non-asbestos Packing
Handwheel *	FCD400
Wheel nut *	SS400
Packing washer	SUS403
Bonnet bolt/nut	Carbon Steel
Gland bolt/nut	Carbon Steel
Gasket	Stainless Foil Inserted Flexible Graphite
Name plate	A1050P
Yoke bush *	C6782BE

* 200 & smaller

Dimensions

Size	mm									
	50	65	80	100	125	150	200	250	300	
	2	2½	3	4	5	6	8	10	12	
L	203	216	241	292	356	406	495	622	698	
H (open)	302	317	356	377	460	524	585	880	943	
D	200	225	250	250	300	350	400	360	360	

NOTE : For flange dimensions, refer to Page 44. ※RF-flanged ends shall be optionally available.